

AC Surge Protection Solutions Single Phase SPDs

AC1080-02 • AC1080-02W • AC2080-02 • AC2080-02W

The AC1080-02, AC1080-02W, AC2080-02 and AC2080-02W Single Phase SPDs offer durable, hardwired, cost-effective AC surge protection with remote alarm capabilities.

ACData[®]



Features

- UL 1449 4th Edition Listed
- Common mode suppression
- Form C relay contacts for remote alarm notification
- Thermal fused metal oxide varistor (MOV) suppression technology
- Light-emitting diode (LED) visual protection status indicator
- Type 1 indoor rated and Type 4 outdoor enclosures
- Surge current capacity 80kA 8/20 μ s

Benefits

Type 2 surge protection devices and extended operating temperature range.

Basic Applications

- Light-industrial
- Telecommunications
- Energy
- Transportation
- Other commercial applications

SPECIFICATIONS

**AC Surge Protection Solutions
Single Phase SPDs**

AC1080-02 • AC1080-02W • AC2080-02 • AC2080-02W



Electrical

Model	AC1080-02	AC1080-02W	AC2080-02	AC2080-02W
Surge Protection Device (SPD) Type to UL	Type 2	Type 2	Type 2	Type 2
Operating AC Voltage	1Φ 120 2W+G	1Φ 120 2W+G	1Φ 120/240 3W+G	1Φ 120/240 3W+G
Maximum Continuous Operating AC Voltage (MCOV):				
Line-Neutral	140V	140V	140V	140V
Line-Ground	140V	140V	140V	140V
Neutral-Ground	140V	140V	140V	140V
Line-Line	N/A	N/A	280V	280V
Discrete Components Across Each Mode:				
Line-Neutral	Yes	Yes	Yes	Yes
Line-Ground	No	No	No	No
Neutral-Ground	Yes	Yes	Yes	Yes
Line-Line	N/A	N/A	No	No
Nominal Discharge Current [I _n]	20kA	20kA	20kA	20kA
Maximum Surge Current Capacity	80kA	80kA	80kA	80kA
Fault Current Rating	65kA with 200 Amp breaker	65kA with 200 Amp breaker	65kA with 200 Amp breaker	65kA with 200 Amp breaker
Voltage Protection Rating (VPR):				
Line-Neutral	800V	800V	800V	800V
Line-Ground	1200V	1200V	1200V	1200V
Neutral-Ground	600V	600V	600V	600V
Line-Line	N/A	N/A	1200V	1200V
Suppression Technology	MOV	MOV	MOV	MOV

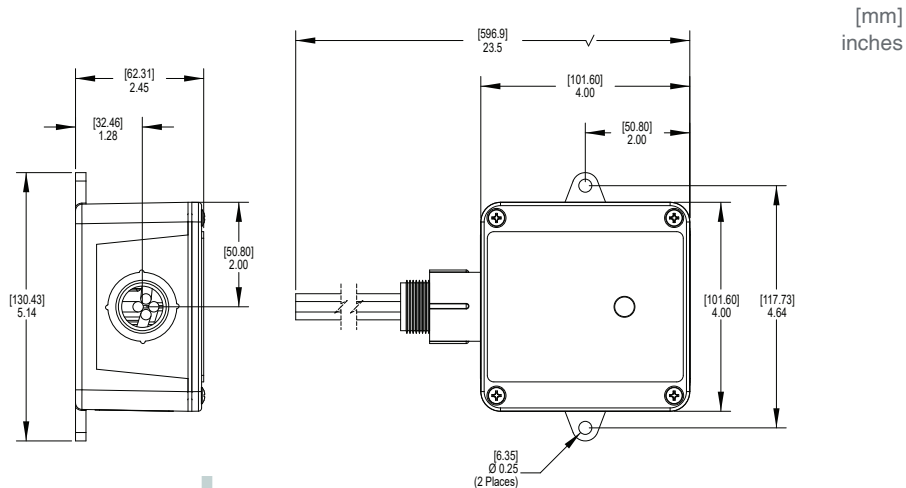
Mechanical

Connection Terminals (Suppression) Hardwired	#12 AWG Pigtail Leads	#12 AWG Pigtail Leads	#12 AWG Pigtail Leads	#12 AWG Pigtail Leads
Form C Contact Connection	#22 AWG Pigtail Leads	#22 AWG Pigtail Leads	#22 AWG Pigtail Leads	#22 AWG Pigtail Leads
Operation Temperature (°C)	-40° C to +80° C	-40° C to +80° C	-40° C to +80° C	-40° C to +80° C
Enclosure Type	Type 1	Type 4	Type 1	Type 4
Enclosure Dimension (L x W x H)	4" x 4" x 2.45"	4" x 4" x 2.45"	4" x 4" x 2.45"	4" x 4" x 2.45"
Weight	4.0 lbs	4.0 lbs	4.0 lbs	4.0 lbs

Standards Compliance & Certifications

UL 1449 4th Ed: 2011, IEEE C62.41.2: 2002

Product Diagram



AWG=American Wire Gauge



www.raycap.com