



Location of Use: Main Distribution Boards
 Network Systems: TT, TN-S
 Mode of Protection: N-PE
 IEC/EN Category: Class I+II / Type 1+2
 Housing: Pluggable Design
 Compliance: IEC 61643-11:2011
 EN 61643-11:2012+A11:2018

Technical Data

ProTube T1-xxx-0+1-LH(-R)

50

IEC Electrical

Maximum Continuous Operating Voltage	U_c	305 V
Nominal Discharge Current (8/20 μ s)	I_n	50 kA
Maximum Discharge Current (8/20 μ s)	I_{max}	100 kA
Impulse Discharge Current (10/350 μ s)	I_{imp}	50 kA
Specific Energy	W/R	625 kJ/ Ω
Charge	Q	25 As
Voltage Protection Level	U_p	1500 V
Follow Current Interrupt Rating (AC)	I_{fi}	100 A
Response Time	t_A	< 100 ns
TOV Withstand 200ms	U_T	1200 V
Number of Ports		1

Additional Electrical Parameters (Tests performed within Raycap testing laboratory only)

Residual Voltage at 5 kA (8/20 μ s)	U_{res}	305 V
---	-----------	-------

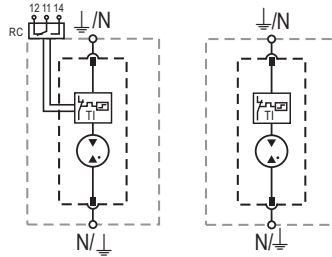
Mechanical & Environmental

Operating Temperature Range	T_a	-40 °F to +185 °F [-40 °C to +85 °C]
Permissible Operating Humidity	RH	5%...95%
Altitude (max)		13123 ft [4000 m]
Terminal Screw Torque	M_{max}	40 lbf-in [4.5 Nm]
Conductor Cross Section (max)		2 AWG (Solid, Stranded) / 4 AWG (Flexible) 35 mm ² (Solid, Stranded) / 25 mm ² (Flexible)
Mounting		35 mm DIN Rail, EN 60715
Degree of Protection		IP 20 (built-in)
Housing Material		Thermoplastic: Extinguishing Degree UL 94 V-0
Thermal Protection		Yes
Operating State / Fault Indication		Green Flag / Not Green Flag
Remote Contacts (RC)		Optional
RC Switching Capacity		AC: 250V/1A, 125V/1A; DC: 48V/0.5A, 24V/0.5A, 12V/0.5A
RC Conductor Cross Section (max)		16 AWG (Solid) / 1.5 mm ² (Solid)

Internal Configuration

Legend

- N* Neutral Conductor Terminal
- \perp PE/G Conductor Terminal
- RC* Remote Contacts Terminal (Optional)
- TI* Thermal Indication



ProTube T1-xxx-0+1-LH(-R)

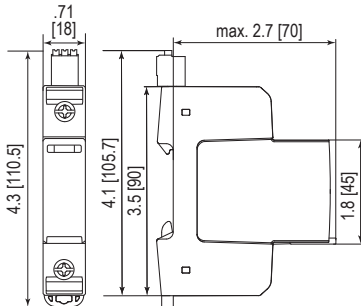
Order Information

Order Code	50
ProTube T1-xxx-0+1-LH	59.A384
ProTube T1-xxx-0+1-LH-R*	59.A761
ProTube T1-50-LH-P (plug)	59.A385

*No VDE Certification.

Dimensions & Packaging

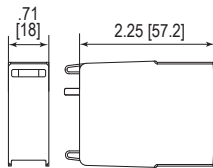
inches [mm]



Complete Unit

ProTube T1-xxx-0+1-LH		50
Weight	pounds	.268
	grams	122
ProTube T1-xxx-0+1-LH-R*		50
Weight	pounds	.276
	grams	125
DIN 43880 Dimension	1 TE / .71" [18]	
Packaging Dimensions (HxWxL)	4.3 x 4.5 x 13.8" [109 x 115 x 352 mm]	
Standard Order Quantity	12 Units	

Spare Plug



Single Unit

ProTube T1-xxx-LH-P		50
Weight	pounds	.112
	grams	51
DIN 43880 Dimension	1 TE / .71" [18]	
Packaging Dimensions (HxWxL)	4.3 x 4.5 x 13.8" [109 x 116 x 352 mm]	
Standard Order Quantity	24 Units	

Information contained in this document is subject to change at any time without notice.

