

## Modular Surge Protective Devices (SPDs) for Data & Signal Lines



### Signal Line Systems

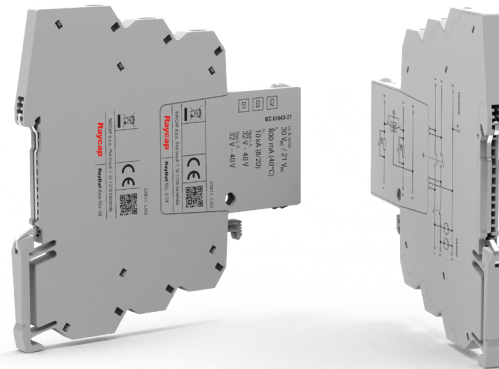
RayDat NSL-2 LF Series  
RayDat NSL-2 Series

#### Special features:

- Narrow form factor - just 6.2 mm wide
- Very high surge ratings
- Different shield-handling options available
- The connection lines remain enabled during module replacement (hot swapping)
- Equipped with quick connect terminals for fast wiring

#### Application:

- Signals and communication circuits which could be isolated from ground



Raycap offers surge protectors for a variety of analog signal lines. In industrial operations, analog signals are used in control systems for sensing and measurement purposes.

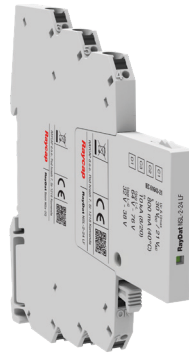
These efficient overvoltage barriers contain both coarse and fine protection stages, and provide longitudinal and a transverse surge protection.

Sensors such as temperature sensors, pressure sensors, level sensors, and position sensors generate analog signals that provide continuous and precise information about the physical parameters being measured.

Due to their internal configuration, RayDat analog signal protection products can also protect high-frequency signals.

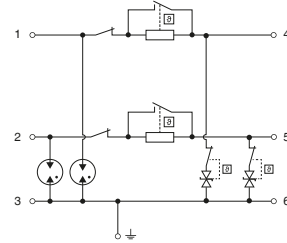
# DATA SHEET

## Modular SPD for Single Pair RayDat NSL-2 LF Series D1 • C1 • C2 • C3



IEC/EN Category: D1/C1/C2/C3  
 Voltages: 5, 12, 24V DC  
 Frequency Range: up to 1MHz  
 Housing: Modular Design  
 Compliance: IEC/EN 61643-21  
 UL 497B 4th Edition

Configuration:



### Technical Data

#### RayDat NSL-2-xx LF Series

5

12

24

#### Electrical

Lines Protected			5	12	24
Lines Protected				1 (2 Conductors)	
Nominal Operating Voltage (DC)	$U_n$		5V	12V	24V
Maximum Continuous Operating Voltage (DC)	$U_c$		8.5V	15V	30V
Rated Load Current at 40 °C	$I_L$			800 mA	
Rated Load Current at 70 °C	$I_L$			600 mA	
C2 Nominal Discharge Current (8/20 μs)	(Line-Line) $I_n$			10 kA	
	(Line-Ground)			10 kA	
C2 Total Nominal Discharge Current (8/20 μs)	$I_n$			20 kA	
C2 Voltage Protection Level (10kV/5kA)	(Line-Line) $U_p$		80V	100V	160V
	(Line-Ground)		100V	110V	140V
C3 Voltage Protection Level (1 kV/μs)	(Line-Line) $U_p$		48V	60V	120V
	(Line-Ground)		24V	30V	60V
D1 Impulse Current (10/350 μs)	(Line-Line) $I_{imp}$			2.5 kA	
	(Line-Ground)			2.5 kA	
D1 Total Impulse Current (10/350 μs)	$I_{imp}$			5 kA	
Rated Spark Overvoltage	(Line-Line)		18V - 46V	32V - 62V	66V - 98V
	(Line-Ground)		9V - 23V	16V - 31V	33V - 49V
Response Time Overvoltage Protection	$t_A$			< 1 ns	
Thermal Protection				Yes	
Insulation Resistance of the Protection	(Line-Line) $R_{iso}$		> 340 kΩ	> 7.5 MΩ	> 15 MΩ
Serial Resistance per Path	$R$			1 Ω	
Capacitance	(Line-Line) $C$		typ. 5 nF	typ. 3 nF	typ. 1.5 nF
	(Line-Ground)		typ. 10 nF	typ. 6 nF	typ. 3 nF
Maximum Frequency	$f_G$		250 kHz	500 kHz	1 MHz

#### Mechanical

Temperature Range		-40 °F to +176 °F [-40 °C to +80 °C]
Conductor Cross Section (max.)		12 AWG / 4 mm <sup>2</sup> (solid) 14 AWG / 2.5 mm <sup>2</sup> (flexible)
Degree of Protection IEC/EN 60529		IP20 (built-in)
Housing Material		Thermoplastic; Grey; Extinguishing Degree V-0
Mounting IEC/EN 60715		35 mm DIN Rail
Operating State / Fault Indication		Green Flag / Red Flag

#### Order Information

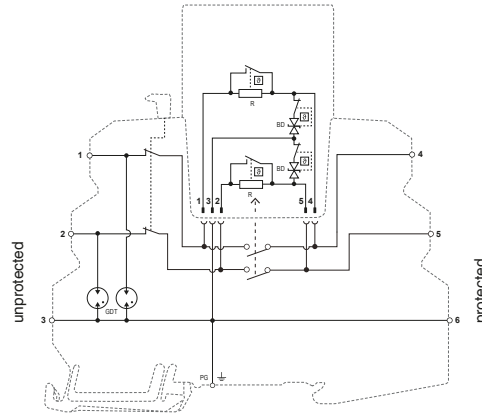
Order Code	5	12	24
NSL-2-xx LF	7088.32	7088.34	7088.36
NSL-2-xxM LF (module)	7088.33	7088.35	7088.37

# RayDat NSL-2 LF Series

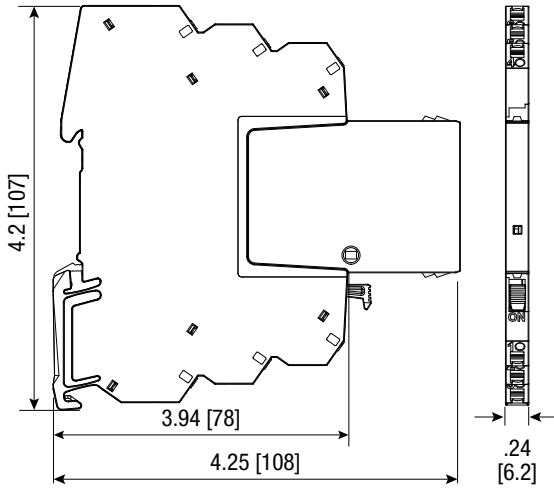
## Configuration

### Legend

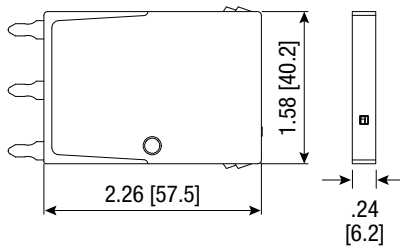
- DB Diode Block
- GDT Gas Discharge Tube
- PG Protective Grounding
- R Resistor



## Dimensions & Packaging



NSL-2-xx LF Series	5	12	24
<b>Dimensions</b>			
Weight per Unit	2.12 oz [60g]		
Dimensions DIN 43880	.24" [6.2 mm]		
Packaging Dimensions (Single Unit)	4.45×4.37×0.43" [113×111×11 mm]		
Minimum Package Quantity	15 pieces		



NSL-2-xxxM LF Series	5	12	24
<b>Dimensions</b>			
Weight per Unit	0.56 oz [16g]		
Packaging Dimensions (Single Unit)	4.45×4.37×0.43" [113×111×11 mm]		
Minimum Package Quantity	15 pieces		



Monitoring Unit  
Transmitter  
& Receiver  
available for all  
product variants.

inches  
[mm]



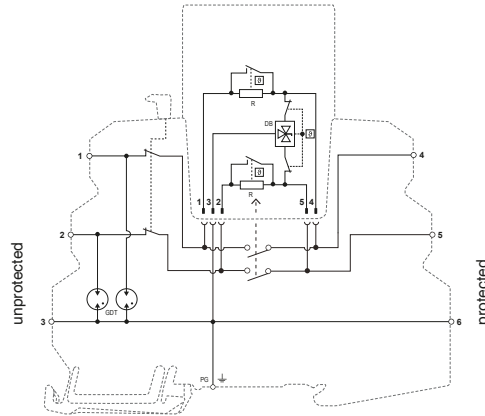


# RayDat NSL-2 Series

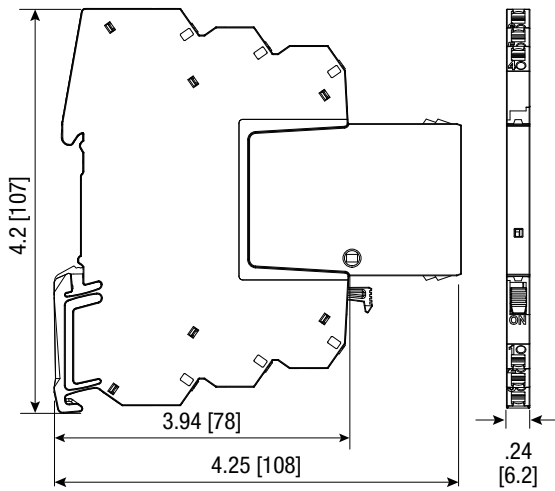
## Configuration

### Legend

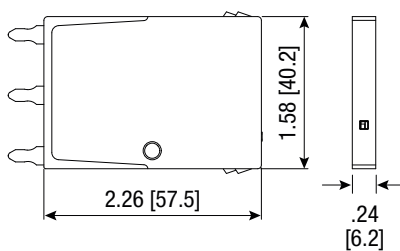
- DB Diode Block
- GDT Gas Discharge Tube
- PG Protective Grounding
- R Resistor



## Dimensions & Packaging



NSL-2-xx Series	5	12	24	48
<b>Dimensions</b>				
Weight per Unit	2.12 oz [60g]			
Dimensions DIN 43880	.24" [6.2 mm]			
Packaging Dimensions (Single Unit)	4.45×4.37×0.43" [113×111×11 mm]			
Minimum Package Quantity	15 pieces			



NSL-2-xxxM Series	5	12	24	48
<b>Dimensions</b>				
Weight per Unit	0.56 oz [16g]			
Packaging Dimensions (Single Unit)	4.45×4.37×0.43" [113×111×11 mm]			
Minimum Package Quantity	15 pieces			



Monitoring Unit  
Transmitter  
& Receiver  
available for all  
product variants.

inches  
[mm]



## Modular Surge Protective Devices (SPDs) for Single Pair Systems



### Single Pair Systems

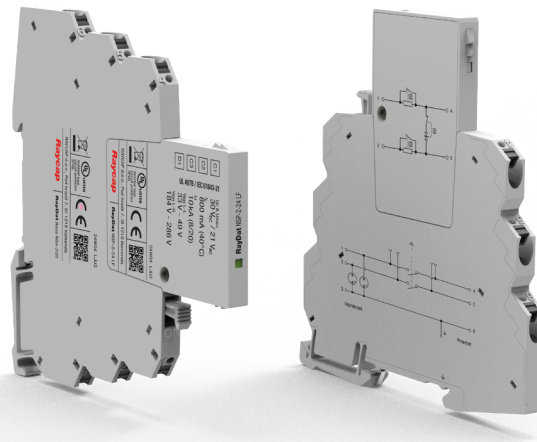
RayDat NSP-2 LF Series  
RayDat NSP-2 Series

#### Special features:

- Narrow form factor - just 6.2 mm wide
- Very high surge ratings
- Different shield-handling options available
- The connection lines remain enabled during module replacement (hot swapping)
- Equipped with quick connect terminals for fast wiring

#### Application:

- Current loops



Raycap offers surge protectors for a variety of analog signal lines. In industrial operations, analog signals are used in control systems for sensing and measurement purposes.

The RayDat SP Series of surge protective devices has been developed to protect a pair loop, which could be ungrounded onto data, signal and communication circuits. It is intended for those applications where high ground potential rises may frequently occur, such as locations close to electric railways. Sensors such as temperature sensors,

pressure sensors, level sensors, and position sensors generate analog signals that provide continuous and precise information about the physical parameters being measured.

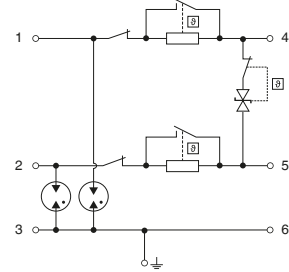
Due to their internal configuration, RayDat analog signal protection products can also protect high-frequency signals.

# DATA SHEET

## Modular Low Frequency SPD for Single Pair **RayDat NSP-2 LF Series** D1 • C1 • C2 • C3



IEC/EN Category: D1/C1/C2/C3  
 Voltages: 24, 24/0 V DC  
 Frequency Range: 1.5 MHz  
 Housing: Modular Design  
 Compliance: IEC/EN 61643-21, UL 497B 4th Edition  
 Configuration:



### Technical Data

#### NSP-2 LF Series

24

#### Electrical

Lines Protected		1 (2 Conductors)
Nominal Operating Voltage (DC)	$U_n$	24V
Maximum Continuous Operating Voltage (DC)	$U_c$	30V
Rated Load Current at 40 °C	$I_L$	800 mA
Rated Load Current at 70 °C	$I_L$	600 mA
C2 Nominal Discharge Current (8/20 $\mu$ s)	(Line-Line) $I_n$	10 kA
	(Line-Ground)	10 kA
C2 Total Nominal Discharge Current (8/20 $\mu$ s)	$I_n$	20 kA
C2 Voltage Protection Level (10kV/5kA)	(Line-Line) $U_p$	140V
	(Line-Ground)	950V
C3 Voltage Protection Level (1 kV/ $\mu$ s)	(Line-Line) $U_p$	60V
	(Line-Ground)	650V
D1 Impulse Current (10/350 $\mu$ s)	(Line-Line) $I_{imp}$	2.5 kA
	(Line-Ground)	2.5 kA
D1 Total Impulse Current (10/350 $\mu$ s)	$I_{imp}$	5 kA
Rated Spark Overvoltage	(Line-Line)	33V - 49V
	(Line-Ground)	184V - 286V
Response Time Overvoltage Protection	$t_A$	< 1 ns
Thermal Protection		Yes
Insulation Resistance of the Protection	(Line-Line) $R_{iso}$	> 15 M $\Omega$
Serial Resistance per Path	$R$	1 $\Omega$
Capacitance	(Line-Line) $C$	typ. 1 nF
	(Line-Ground)	typ. 15 pF
Maximum Frequency	$f_G$	1.5 MHz

#### Mechanical

Temperature Range	-40 °F to +176 °F [-40 °C to +80 °C]
Conductor Cross Section (max.)	12 AWG / 4 mm <sup>2</sup> (solid) 14 AWG / 2.5 mm <sup>2</sup> (flexible)
Degree of Protection IEC/EN 60529	IP20 (built-in)
Housing Material	Thermoplastic; Grey; Extinguishing Degree V-0
Mounting IEC/EN 60715	35 mm DIN Rail
Operating State / Fault Indication	Green Flag / Red Flag

#### Order Information

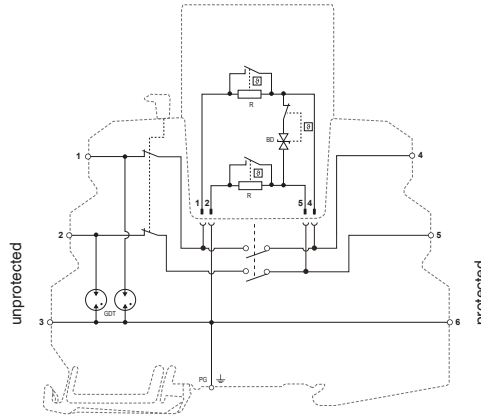
Order Code	24
NSP-2-xx LF	7088.03
NSL-2-xxM LF (module)	7088.04

# RayDat NSP-2 LF Series

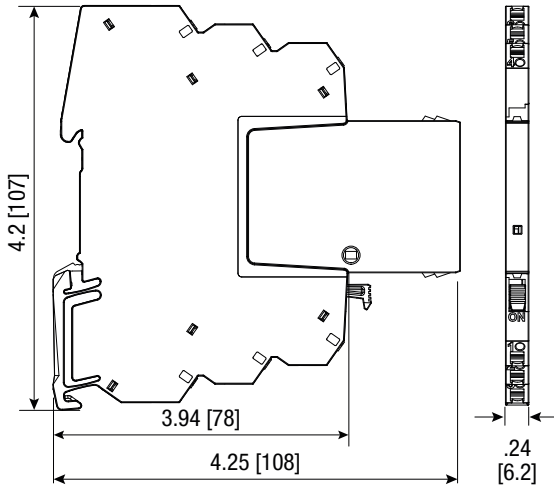
## Configuration

### Legend

- BD Bi-directional TVS Diode
- GDT Gas Discharge Tube
- PG Protective Grounding
- R Resistor



## Dimensions & Packaging

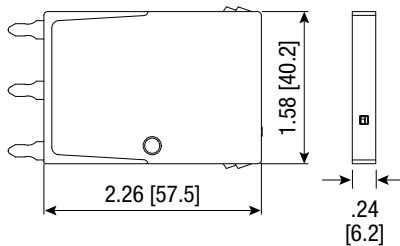


### NSP-2 LF Series

24

#### Dimensions

Weight per Unit	2.12 oz [60g]
Dimensions DIN 43880	.24" [6.2mm]
Packaging Dimensions (Single Unit)	4.45×4.37×0.43" [113×111×11 mm]
Minimum Package Quantity	15 pieces



### NSP-2-xxxM LF Series

24

#### Dimensions

Weight per Unit	0.56 oz [16g]
Packaging Dimensions (Single Unit)	4.45×4.37×0.43" [113×111×11 mm]
Minimum Package Quantity	15 pieces



Monitoring Unit  
Transmitter  
& Receiver  
available for all  
product variants.

inches  
[mm]



**Raycap**

www.raycap.com

© 2024 Raycap All rights reserved.  
G29-01-577 240812



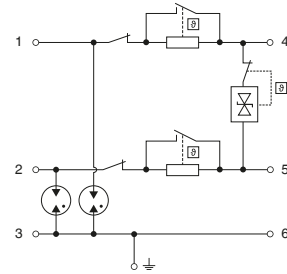
# DATA SHEET

## Modular SPD for Single Pair RayDat NSP-2 Series D1 • C1 • C2 • C3



IEC/EN Category: D1/C1/C2/C3  
 Voltages: 24, 110 V DC  
 Frequency Range: 120 MHz  
 Housing: Modular Design  
 Compliance: IEC/EN 61643-21  
 UL 497B 4th Edition

Configuration:



### Technical Data

#### NSP-2 Series

24

110\*

#### Electrical

		1 (2 Conductors)	
Lines Protected		1 (2 Conductors)	
Nominal Operating Voltage (DC)	$U_n$	24V	110V
Maximum Continuous Operating Voltage (DC)	$U_c$	30V	170V
Rated Load Current at 40 °C	$I_L$	800 mA	
Rated Load Current at 70 °C	$I_L$	600 mA	
C2 Nominal Discharge Current (8/20 $\mu$ s)	(Line-Line) $I_n$	10 kA	
	(Line-Ground)	10 kA	
C2 Total Nominal Discharge Current (8/20 $\mu$ s)	$I_n$	20 kA	
C2 Voltage Protection Level (10kV/5kA)	(Line-Line) $U_p$	180V	400V
	(Line-Ground)	950V	980V
C3 Voltage Protection Level (1 kV/ $\mu$ s)	(Line-Line) $U_p$	70V	300V
	(Line-Ground)	650V	
D1 Impulse Current (10/350 $\mu$ s)	(Line-Line) $I_{imp}$	2.5 kA	
	(Line-Ground)	2.5 kA	
D1 Total Impulse Current (10/350 $\mu$ s)	$I_{imp}$	5 kA	
Rated Spark Overvoltage	(Line-Line)	33V - 51V	188V - 255V
	(Line-Ground)	184V - 286V	184V - 276V
Response Time Overvoltage Protection	$t_A$	< 1 ns	
Thermal Protection		Yes	
Insulation Resistance of the Protection	(Line-Line) $R_{iso}$	> 15 M $\Omega$	> 85 M $\Omega$
Serial Resistance per Path	$R$	1 $\Omega$	
Capacitance	(Line-Line) $C$	typ. 25 pF	
	(Line-Ground)	typ. 15 pF	
Maximum Frequency	$f_G$	120 MHz	

#### Mechanical

Temperature Range	-40 °F to +176 °F [-40 °C to +80 °C]		
Conductor Cross Section (max.)	12 AWG / 4 mm <sup>2</sup> (solid)		
	14 AWG / 2.5 mm <sup>2</sup> (flexible)		
Degree of Protection IEC/EN 60529	IP20 (built-in)		
Housing Material	Thermoplastic; Grey; Extinguishing Degree V-0		
Mounting IEC/EN 60715	35 mm DIN Rail		
Operating State / Fault Indication	Green Flag / Red Flag		

#### Order Information

Order Code	24	110*
NSP-2-xx	7088.05	7088.07
NSP-2-xxM (module)	7088.06	7088.08

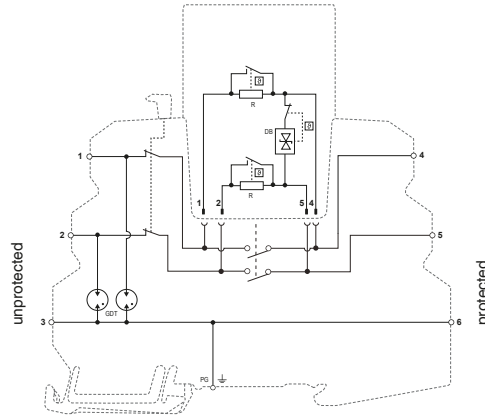
\*No UL Certification.

# RayDat NSP-2 Series

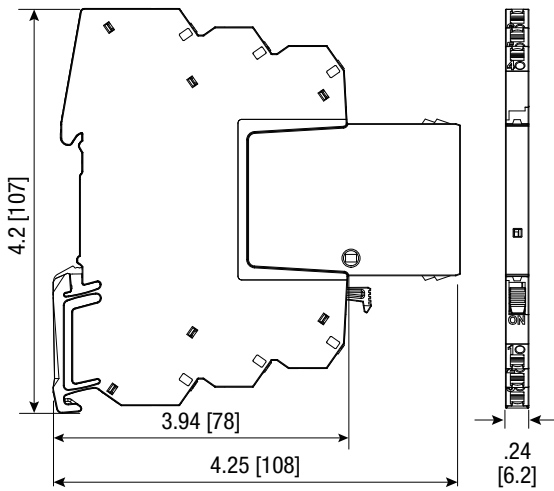
## Configuration

### Legend

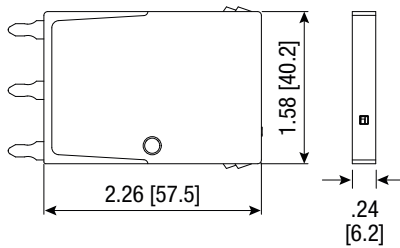
- DB Diode Block
- GDT Gas Discharge Tube
- PG Protective Grounding
- R Resistor



## Dimensions & Packaging



NSP-2 Series	24	110*
<b>Dimensions</b>		
Weight per Unit	2.12 oz [60g]	
Dimensions DIN 43880	.24" [6.2mm]	
Packaging Dimensions (Single Unit)	4.45×4.37×0.43" [113×111×11 mm]	
Minimum Package Quantity	15 pieces	



NSP-2-xxxM Series	24	110*
<b>Dimensions</b>		
Weight per Unit	0.56 oz [16g]	
Packaging Dimensions (Single Unit)	4.45×4.37×0.43" [113×111×11 mm]	
Minimum Package Quantity	15 pieces	



Monitoring Unit  
Transmitter  
& Receiver  
available for all  
product variants.

inches  
[mm]

